



BOOK OF DESIGNS:

Fire Features





Table of Contents

Conversation Spaces/Partners | **3-4**

Space/Layout/Building | **5-6**

Fire Pit 101/Burners 101 | **7-8**

Square/Round Designs | **9-15**

Rectangular/Linear Designs | **16-22**

Premium Designs | **23-26**

Wood/Gas Fire Pits | **27-29**

Outdoor Fireplaces | **30-36**

Authorized Installers | **37**

"The most tangible of all visible mysteries - fire."
- Leigh Hunt, 1850

CONVERSATION SPACES



DESIGNING YOUR CONVERSATION SPACE

You have heard it said, the simple things in life make us the happiest. Few things are as enjoyable as spending time with family and friends under the stars and in the warm glow of your own backyard fire feature. In our technology-driven, "social media world," there is no better way to reconnect with the people you care most about, sitting around a backyard fire feature that is both functional and well-designed. In the following pages our aim is to help you identify a suitable design and begin planning your ideal outdoor fire feature by exploring:

1. Space, Layout and Seating Considerations
2. Construction Material Options
3. Fire Pit Design Options
4. Fuel and Burner System Options



FIRE PIT OR FIREPLACE?

Whether you decide on a fire pit or fireplace, both are welcome sources of light and warmth and provide an ambiance of relaxation. Your design decision will depend upon space, budget and your goals for your new backyard fire feature.

| FIRE PIT | FIREPLACE |
|------------------------|--------------------------------|
| Social gathering space | Intimate conversation space |
| 360 degree experience | 180 degree experience |
| Campfire environment | Romantic Environment |
| Open to the elements | Protected from wind |
| Won't obstruct view | Provides a focal point |
| Ideal for groups | Perfect for smaller gatherings |

At ClifRock, we believe a fire feature should not only add value to your property but enhance the quality of your time spent with loved ones. Our goal is to help you create the perfect fire feature for your backyard space and lifestyle. Our *Fire Feature Book of Designs* will help you better understand your options in terms of size, layout, type and overall design.

PARTNERS



As a leader in Outdoor Living design and construction innovation, ClifRock has built a reputation for delivering value and quality to our end customers. Accordingly, we only partner with companies and manufacturers who share these same values. We have evaluated a multitude of gas and wood fire systems, and from these products have selected the best-in-class to become our partners. We believe that each of these manufacturers excel in terms of quality, innovation and safety.



Firegear is a leader in the outdoor fire feature industry, designing and manufacturing a full line of gas fire pits and gas fireplace burner systems and accessories.



Hearth Product Controls Company (HPC) has built their reputation on gas fire feature safety technology, and are a leader in gas fire pit innovation, offering a comprehensive line of fire burners and accessories.



Blazing Beats patent-pending, fire pit insert with dancing flame technology allows you to experience your favorite songs like never before as hundreds of individual flames dance to the music.



Developed by an Amish inventor and manufactured in Lancaster, PA, Breeo's patented "smoke less" fire pit burners have brought innovation and luxury to the wood burning campfire culture.



Olympia Chimney Supply is a leading designer and manufacturer of fireplace systems. In collaboration with ClifRock, Olympia has designed and developed an engineered outdoor fireplace system.

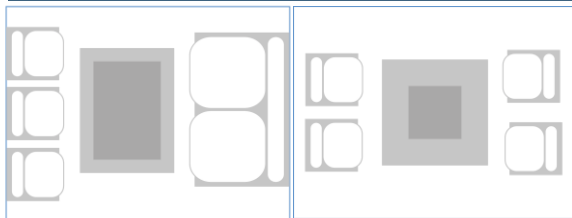
1 SPACE & LAYOUT

When planning your fire and conversation space it is important to consider:

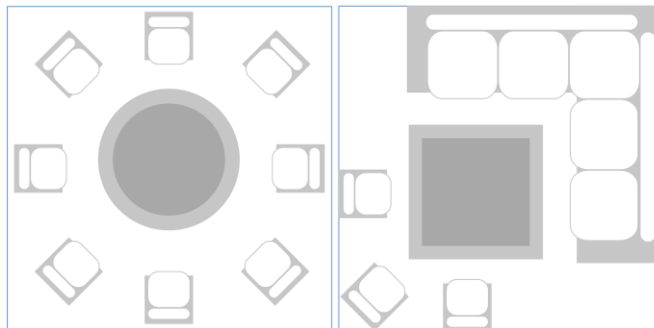
- 1)** the number of guests you want to be able to host,
- 2)** the amount of space you have available for your fire feature,
- 3)** the fire feature's proximity to the home,
- 4)** pedestrian traffic patterns, and
- 5)** fire feature safety considerations.

On this page you will find four common size spaces and examples of fire pit seating layouts. Your ClifRock installer can help you discover your own optimal design.

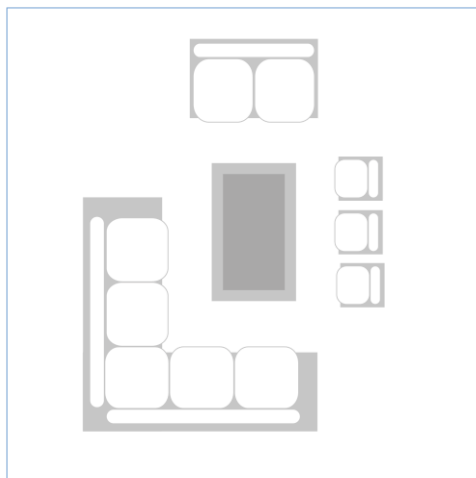
Small Space 8' x 6'



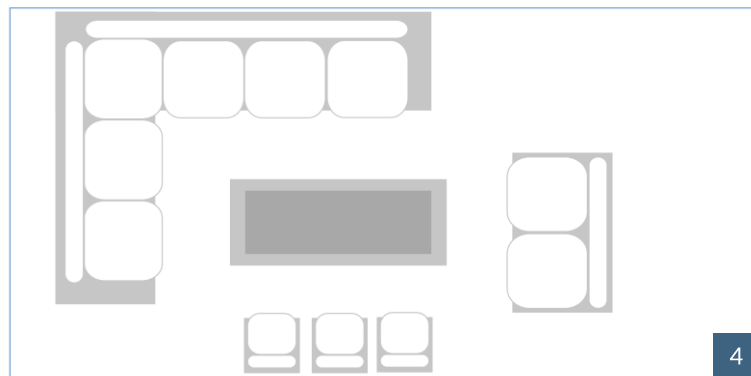
Mid-Size Space 10' x 10'



Large Space 16' x 16'



Large Space 20' x 10'



It is important to consider the materials that will be used to build your new outdoor fire feature. Traditional masonry materials, such as natural and manufactured stone, wall block and mortar are vulnerable to cracking when exposed to high temperatures. The potential for cracking is further exacerbated in an outdoor fire feature by the common presence of water. Selecting materials engineered to resist high temperatures and harsh outdoor elements is critical to long term durability and enjoyment. You will also want to select a building material with aesthetics that complement your existing landscape and home.

STONE STYLES



Ledge Stone



Dry Stack



Cut Stone



Random Rock

Color Options



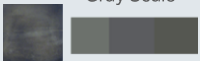
Gray Scale



Tan Base



Brown Scale



Natural



Sand Stone

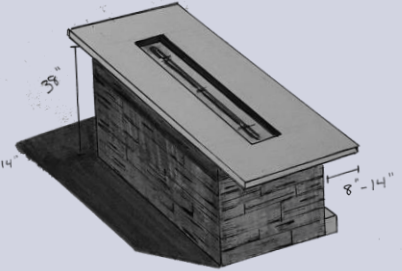
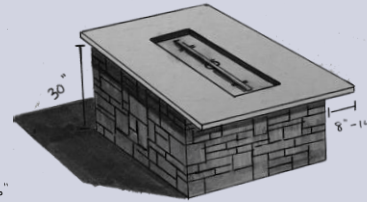
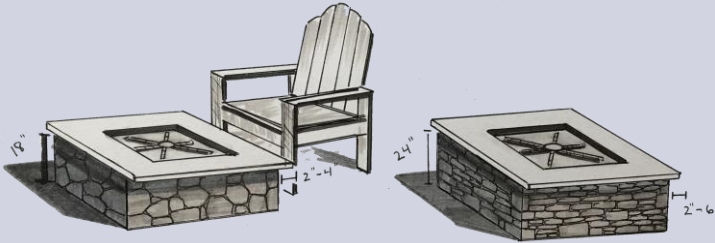


CLIFROCK PANEL MASONRY TECHNOLOGY™

ClifRock Engineered Stone Panels provide the look and feel of traditional masonry stone without the expensive and time-consuming labor. The ClifRock Engineered Stone Panel System is precast from polymeric, fiber-reinforced, high-performance concrete that is resistant to heat, incomparably strong and withstands extreme environmental stresses. The ClifRock panel system was designed and engineered to be a simpler and more efficient way to build outdoor fire features.

3 FIRE PIT 101

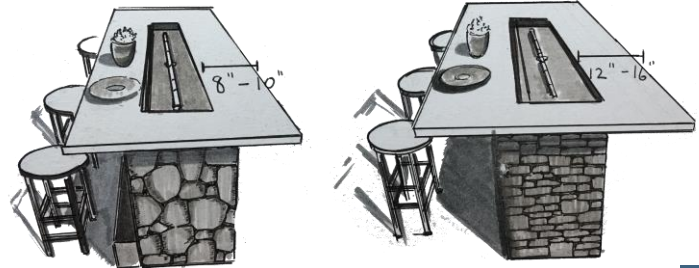
FIRE PIT HEIGHT DIMENSIONS



COUNTER TO BASE DIMENSIONS



COUNTER SPACE



4 BURNERS 101

When planning your fire feature you will want identify what fuel source makes the most sense for your backyard space. Are there any combustibles surrounding the space? Do you have a natural gas line available? Do you prefer the look and feel of a wood fire?

FUEL SOURCE



Gas (NG/LP)



Wood

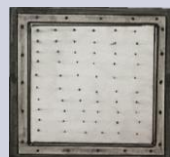
GAS BURNERS



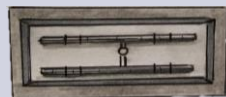
Square Burner



Round Burner



Dancing Burner



Rectangle Burner



Linear Burner

IGNITION TYPES



Match Lit

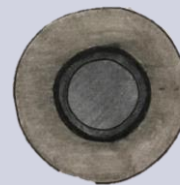


Push Start



Electric

WOOD BURNERS



Round Bowl



Square Bowl

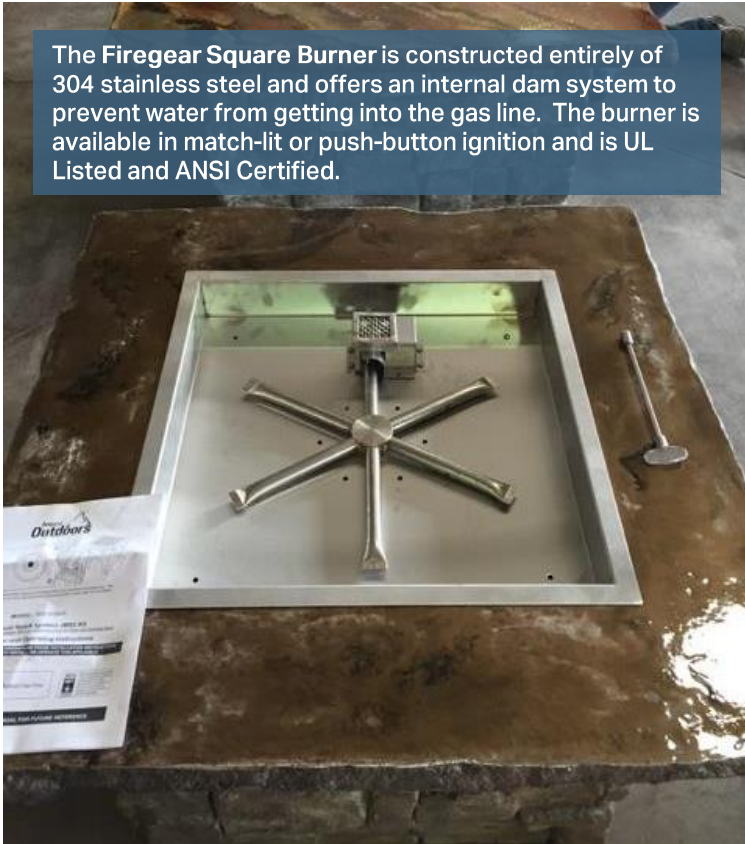


SQUARE & ROUND GAS FIRE PITS

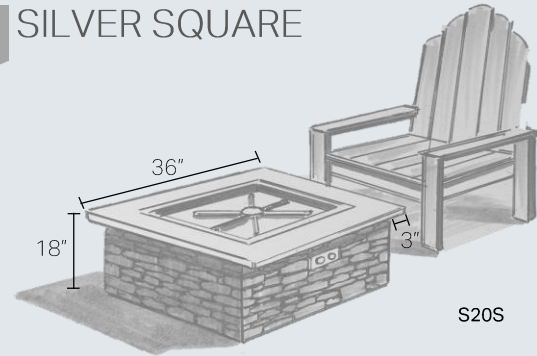


S-SERIES Gas Fire Pit

The **Firegear Square Burner** is constructed entirely of 304 stainless steel and offers an internal dam system to prevent water from getting into the gas line. The burner is available in match-lit or push-button ignition and is UL Listed and ANSI Certified.



SILVER SQUARE



DESCRIPTION

Firegear Square 20" Match-Throw Burner built into a Chair Height 30" x 30" engineered stone base with a 36" x 36" countertop.

Silver+ Upgrade: Firegear Square 20" Push-Button Burner

Firegear Square Burner

- FPB20-SQ-NG/LP Match-Throw
- 65,000 BTU
- Available NG or LP

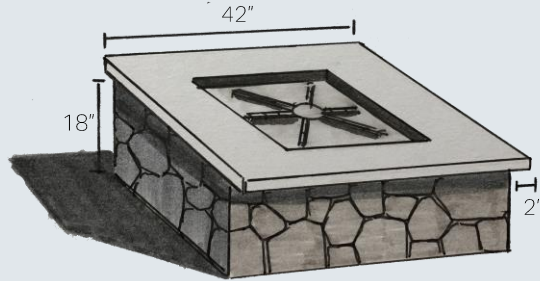


AVAILABLE IN:  Chair Height  Chat Height

S-SERIES



GOLD SQUARE



S26G

DESCRIPTION

Firegear Square 26" Match-Lit Burner built into a Chair Height 38" x 38" engineered stone base with a 42" x 42" countertop.

Gold+ Upgrade: Firegear 26" Square Push-Button Burner

Firegear Square Burner

- FPB26-SQ-NG/LP Match-Lit
- 65,000 BTU
- Available NG or LP



AVAILABLE IN:



Chair Height



Chat Height



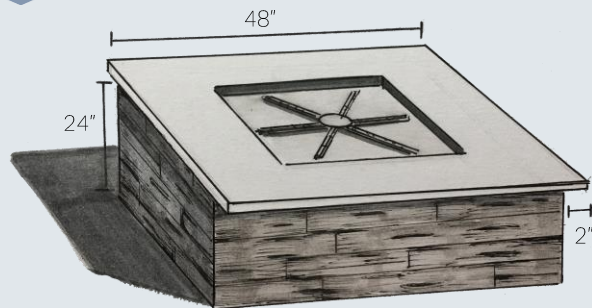
Table Height



S-SERIES



PLATINUM SQUARE



S32P

DESCRIPTION

Firegear Square 32" Match-Throw Burner built into a Chat Height 44" x 44" engineered stone base with a 48" x 48" countertop.

Platinum+ Upgrade: Firegear Square 32" Push-Button Burner

Firegear Square Burner

- FPB32-SQ-NG/LP Match-Lit
- 65,000 BTU | **75,000 BTU**
- Available NG or LP



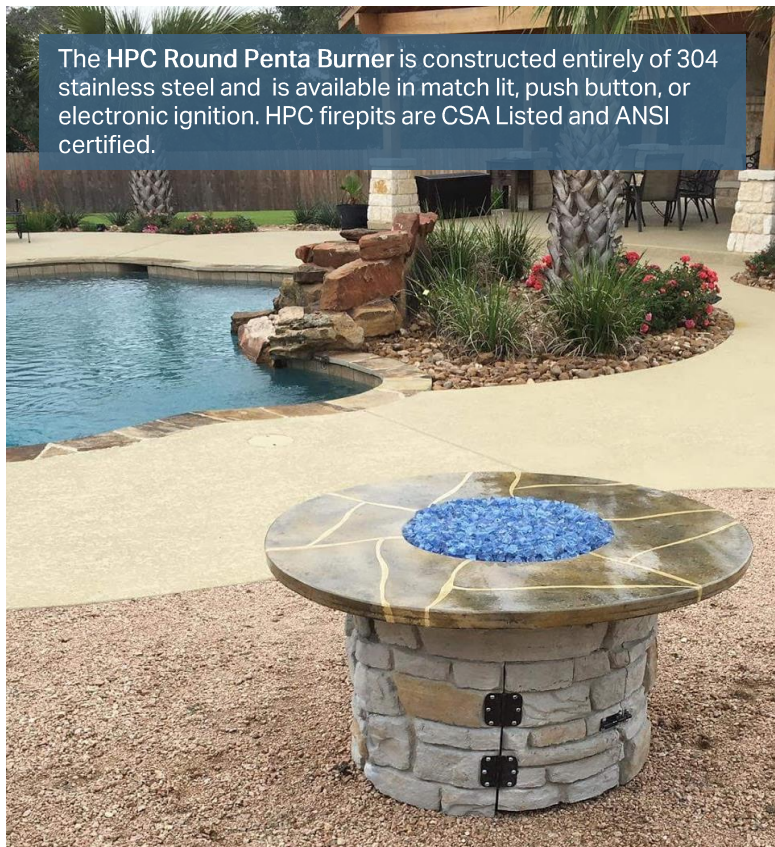
AVAILABLE IN:  Chair Height

 Chat Height

 Table Height

 Bar Height

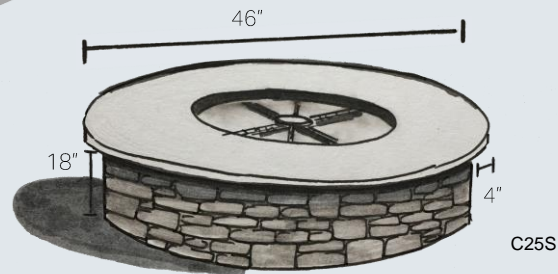
C-SERIES



The HPC Round Penta Burner is constructed entirely of 304 stainless steel and is available in match lit, push button, or electronic ignition. HPC firepits are CSA Listed and ANSI certified.



SILVER ROUND



DESCRIPTION

HPC Round 19" Match-Lit Penta Burner built into a Chair Height 38" engineered stone base with a 46" countertop.

Silver+ Upgrade: HPC Round 19" Push-Start Burner

HPC Round Penta Burner

- Penta25-RO-NG/LP Match-Lit
- 65,000 BTU
- Available NG or LP



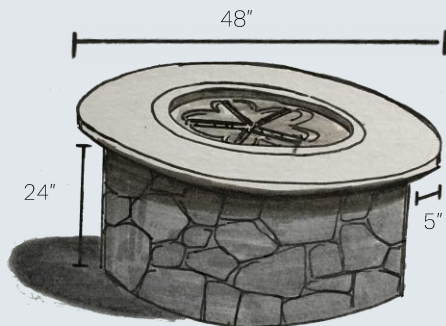
AVAILABLE IN: Chair Height

Chat Height

C-SERIES



GOLD ROUND



C25G

DESCRIPTION

HPC Round 25" Match-Lit Penta Burner built into a Chat Height 38" engineered stone base with a 48" countertop.

Gold+ Upgrade: HPC Round 25" Push-Start Burner

HPC Round Penta Burner

- Penta25-RO-NG/LP Match-Lit
- 65,000 BTU | **90,000 BTU**
- Available NG or LP



AVAILABLE IN:



Chair
Height



Chat
Height

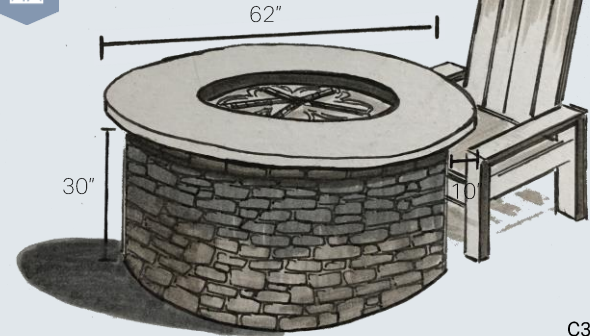


Table
Height

C-SERIES



PLATINUM ROUND



C31P

DESCRIPTION

HPC Round 31" Match-Lit Penta Burner built into a Table Height 42" engineered stone base with a 62" countertop.

Platinum+ Upgrade: HPC Round 31" Push-Button Penta Burner

HPC Round Penta Burner

- PENTA31-RO-NG/LP
- 65,000 BTU | **140,000 BTU**
- Available NG or LP



AVAILABLE IN:  Chair Height

 Chat Height

 Table Height

 Bar Height



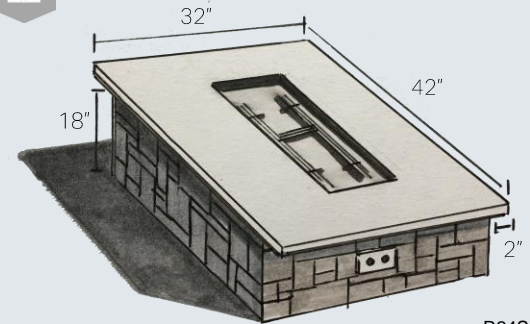
RECTANGULAR & LINEAR FIRE PITS



R-SERIES



SILVER RECTANGLE



R24S

DESCRIPTION

HPC 24" x 12" Rectangle Match Lit H-Burner built into a 36" x 24" Chair Height engineered stone base with a 40" x 28" outdoor countertop.

Silver+ Upgrade: HPC Push-Button H-Burner

HPC Rectangle H-Burner

- H2412-REC-NG/LP Match-Lit
- 65,000 | **75,000 BTU**
- Available NG or LP



AVAILABLE IN:



Chair
Height



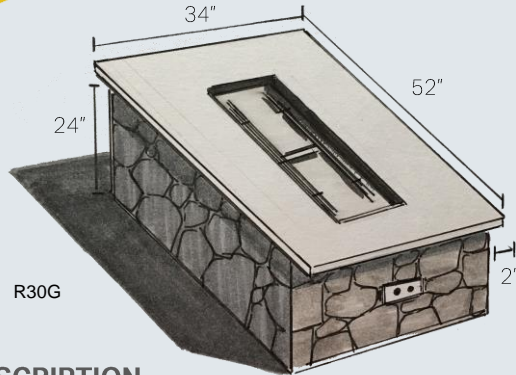
Chat
Height

16

R-SERIES



GOLD RECTANGLE



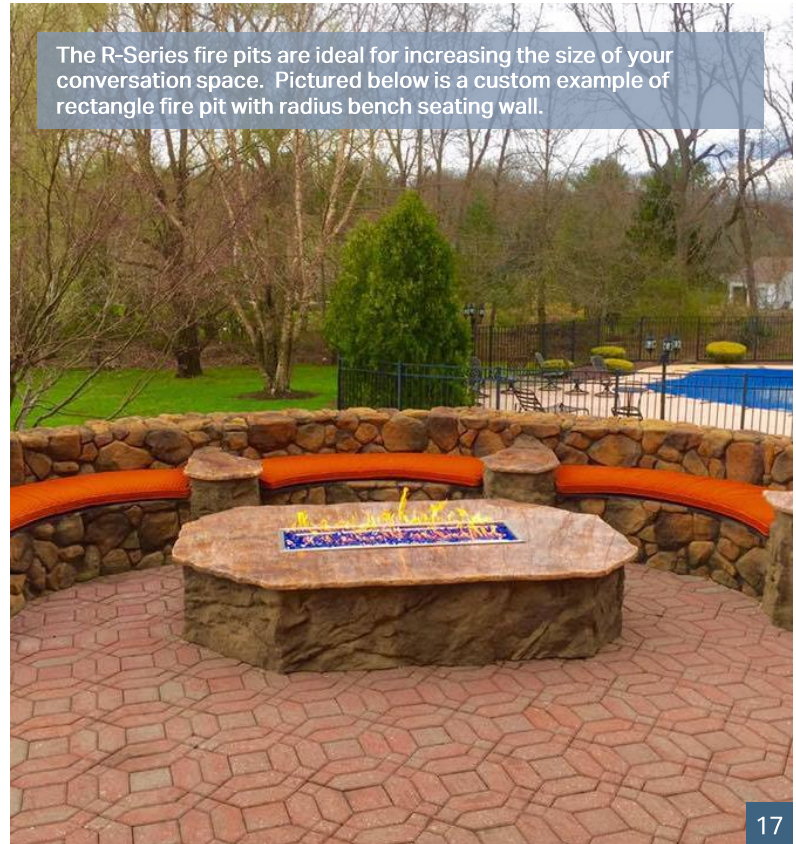
DESCRIPTION

HPC 30" x 12" Rectangle Match-Lit H-Burner built into a 48" x 30" Chat Height engineered stone base with a 52" x 34" countertop.

Gold+ Upgrade: HPC Push-Button H-Burner

HPC Rectangle H-Burner

- H3012-REC-NG/LP Match-Lit
- 65,000 | **90,000 BTU**
- Available NG or LP



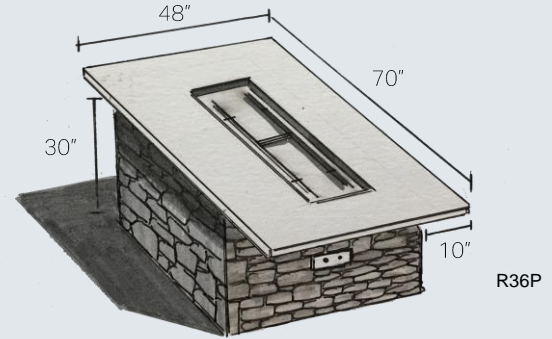
The R-Series fire pits are ideal for increasing the size of your conversation space. Pictured below is a custom example of rectangle fire pit with radius bench seating wall.

AVAILABLE IN: Chair Height Chat Height Table Height

R-SERIES



PLATINUM RECTANGLE



DESCRIPTION

HPC 36" x 14" Rectangle Match Lit H-Burner built into a 50" x 28" Table Height engineered stone base with a 70" x 48" outdoor countertop.

Platinum+ Upgrade: HPC Push-Button S or H Burner

HPC Rectangle H-Burner

- H3614-REC-NG/LP Match-Lit
- 65,000 | **90,000 BTU**
- Available NG or LP



AVAILABLE IN:



Chair Height



Chat Height



Table Height



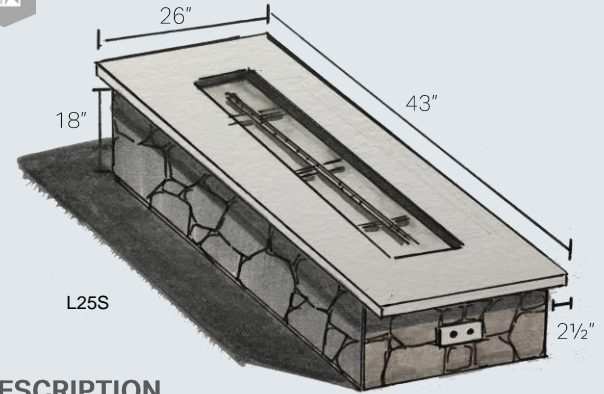
Bar Height

18

L-SERIES



SILVER LINEAR



DESCRIPTION

HPC Linear 25" x 8" Match-Lit Interlink T-Burner built into a 38.5" x 21.5" Chair Height engineered stone base with a 43" x 26" outdoor countertop.

Silver+ Upgrade: HPC Linear 25" x 8" Push-Start Burner

HPC Linear T-Burner

- T258-L-NG/LP Match-Lit
- 50,000 BTU
- Available NG or LP

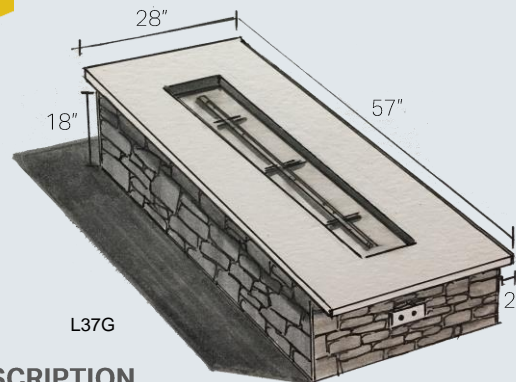


AVAILABLE IN:  Chair Height  Chat Height

L-SERIES



GOLD LINEAR



L37G

DESCRIPTION

HPC Linear 37" x 8" Match-Lit Interlink T-Burner built into a 53" x 24" Chair Height engineered stone base with a 57" x 28" outdoor countertop.

Gold+ Upgrade: HPC Linear 37" x 8" Push-Start Burner

HPC Linear T-Burner

- T378-L-NG/LP Match-Lit
- 65,000 | **75,000 BTU**
- Available NG or LP



AVAILABLE IN:  Chair Height

 Chat Height

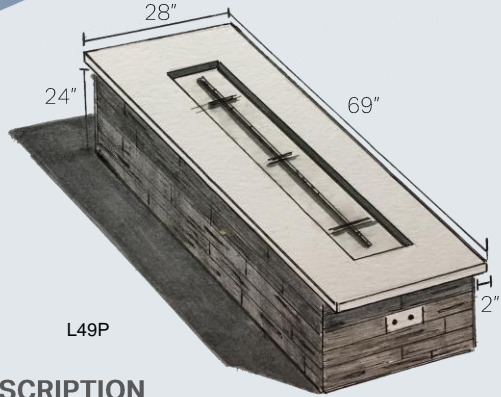
 Table Height

20

L-SERIES



PLATINUM LINEAR



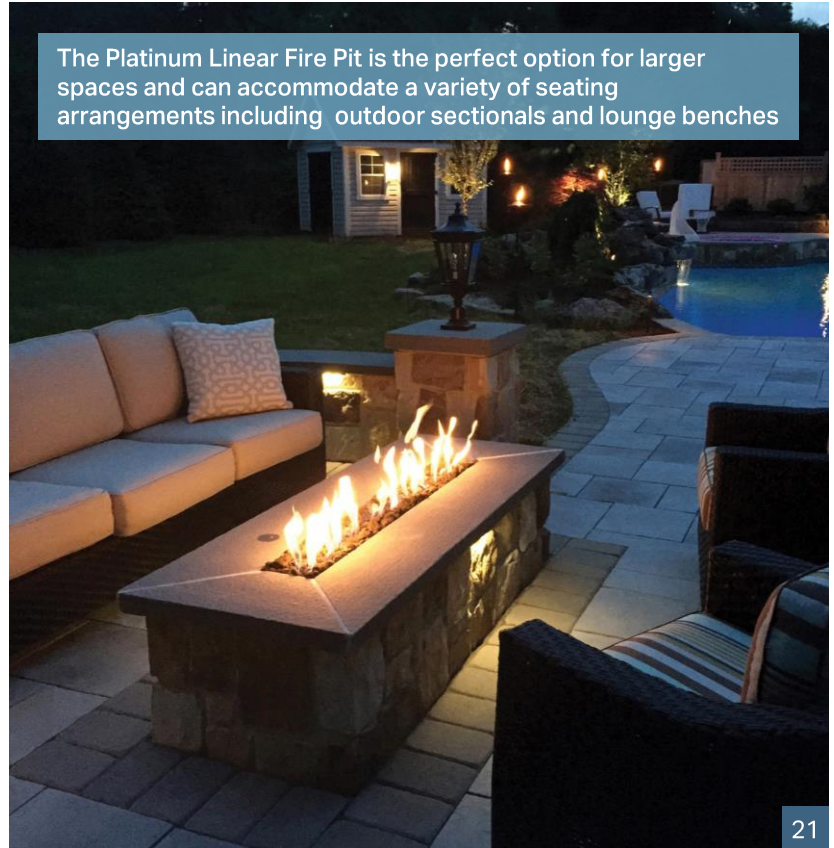
DESCRIPTION

HPC Linear 49" x 8" Match-Lit Interlink T-Burner built into a 65" x 24" Chat Height engineered stone base with a 69" x 28" outdoor countertop.

Gold+ Upgrade: HPC Linear 49" x 8" Push-Start Burner

HPC Linear T-Burner

- T498-L-NG/LP Match-Lit
- 65,000 | **90,000 BTU**
- Available NG or LP



The Platinum Linear Fire Pit is the perfect option for larger spaces and can accommodate a variety of seating arrangements including outdoor sectionals and lounge benches

AVAILABLE IN:



Chair
Height



Chat
Height



Table
Height

FIRE PIT ACCESSORIES

LOG STYLES



Woodland Logs



Campfire Logs



Western Pine



Birch Logs

LAVA ROCK



Lava Rock



Lava Stone



River Rock

GLASS OPTIONS



FPGAZURIA



FPGLAZURIAREFLE



FPGBLACK



FPGBLACKREFL



FPGBRONZE



FPGBRNZREFL



FPGPACIFICBLUE



FPGPACBLUEREF



FPGPLATINUM



FPGCLEAR



FPGI STARFIRI



FPGCOPPER



FPGLEVERGREEN



FPGLIGHTGREEN



FPGGRAYREFLEC

GLASS WIND GUARDS

Fire pits are wide open to wind and the elements, making glass wind guards important to the operation and safety of your new fire feature.



Round Wind Guard



Square Wind Guard



Rectangle Wind Guard



Linear Wind Guard





PREMIUM & ELECTRONIC FIRE PITS





FIRE+MUSIC

Blazing Beats Dancing Flame fire pits are the ultimate in backyard entertainment. This technology allows you to experience your favorite songs like never before as the flames dance to the music. Blazing Beats is perfect for gathering with loved ones and enjoying music+fire.



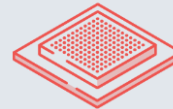
PREMIUM OUTDOOR AUDIO

Marine-grade, weather-resistant audio components. Available as Self-Contained (SAS) or Component (CAS) audio system.



FIRE SYNC CHAMBER

The heart and soul of the Blazing Beats fire pit. The chamber guides fuel source, along with sound waves up through the burner.



VISUALIZATION BURNER

Made from 14-gauge 304 stainless steel, the burner illuminates sound waves with fire being forced through micro-perforated holes, allowing you to see your music in a multi-dimensional sound-flame experience.



DANCING FLAME TECHNOLOGY

Blazing Beats' patent-pending industry-first, sound visualization burner creates a precise fire-to-sound reaction that dynamically represents the sound of music with flames.



DRIVEN BY SCIENCE

The flames synchronization is due to physics, rather than valves or electronics which could fail, as the flames "dance" due to variations in air pressure caused by sound waves,



BLUETOOTH CAPABLE & MORE

Easily sync with any Bluetooth® device and stream music. Additionally, an auxiliary input provides you even more connection options.



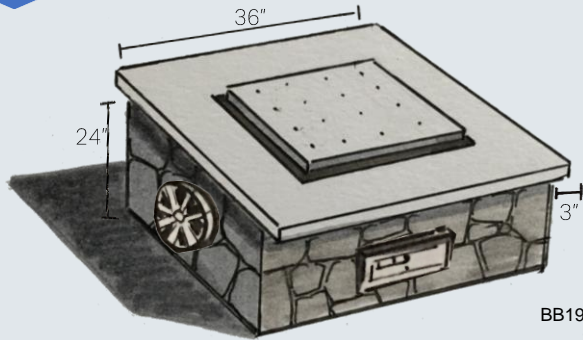
SIMPLE FUEL SYSTEM

Blazing Beats standard-size dancing fire pits can be fueled by either propane or natural gas.

DANCING FIRE



DANCING FLAME BURNER



BB19P

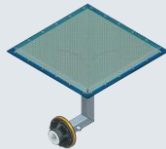
DESCRIPTION

Blazing Beats 19" Dancing Flame Burner built into a Chat Height 30" x 30" engineered stone base with a 36" x 36" outdoor countertop. Includes built-in outdoor Audio Systems.

Upgrade: Blazing Beats 24" Square Burner

Dancing Flame Burner

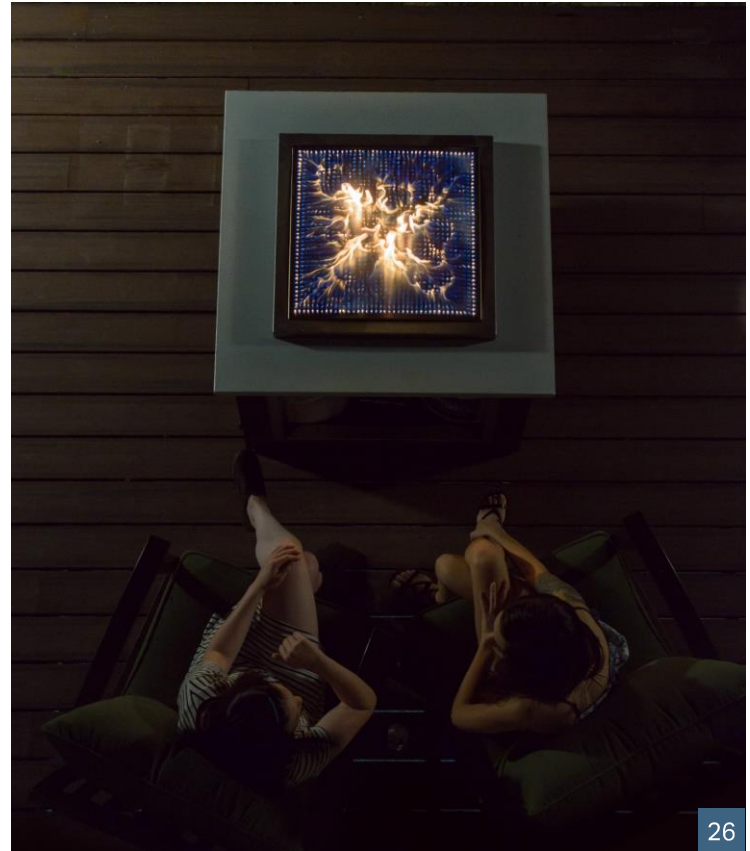
- BB19-SQ-NG/LP Match-Lit
- 120,000+ | **140,000 BTU**
- Available NG or LP



AVAILABLE IN: Chat Height

Table Height

Bar Height



SIGNATURE STUMP

STUMP FIRE PIT

As seen on the DIY Networks, Turf Wars, the ClifRock signature Tree Stump fire pit is a popular alternative to the traditional masonry round fire pit.



STUMP FIRE PIT



SFP36P
SFP44P

DESCRIPTION

Small Stump fire pit has 36" top with Chair height base, and is fitted with either a Zentro Basic 29" Round wood insert or HPC 25" Match-Lit Burner for gas option.

Upgrade: Zentro 24" Stainless or HPC 25" Push Button

Large Stump fire pit has 44" base and is available in Chair or Chat height, and is fitted with either Zentro Basic 24" Round insert for wood burning or HPC 31" Match-Lit Burner for gas option.

Upgrade: Zentro 30" Stainless or HPC 31" Push Button



AVAILABLE IN:  Chair Height

 Chat Height



WOOD FUELED FIRE PITS

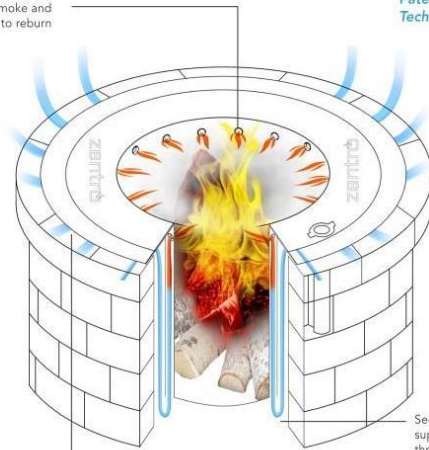


SMOKELESS FIRE PITS

Breeo's patent-pending smokeless technology allows you to enjoy an old-fashioned, wood burning fire while virtually eliminating smoke, allowing for easy breathing while playing guitar, sipping hot cocoa or swapping stories.

Hot oxygen enters the top of the pit through small holes, mixing with the smoke and causing it to reburn

Patent-Pending Technology



Main air supply enters between the stone and metal ring

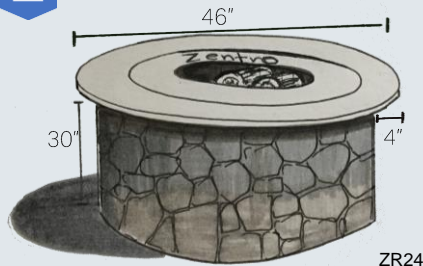
Secondary air supply rises through double outer walls and exits holes at top of pit



Z-SERIES



WOOD ROUND



ZR24

DESCRIPTION

24" Round 304 Stainless Steel Zentro fire pit built into a Table Height 38" engineered stone base with a 46" countertop.

Round Fire Bowl

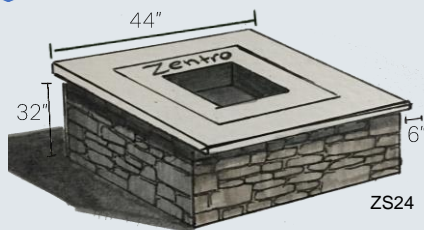
- > BZR24-WB
- > 304 Stainless



AVAILABLE IN:  Chair Height  Chat Height



WOOD SQUARE



ZS24

DESCRIPTION

24" Square Zentro fire pit built into a Chair Height 32" x 32" engineered stone base with a 44" x 44" countertop.

Square Fire Bowl

- > BZS24-WB
- > Steel or 304 Stainless

AVAILABLE IN:  Chair Height  Chat Height

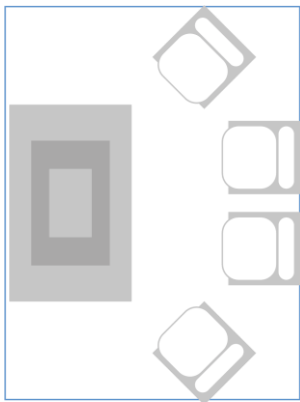
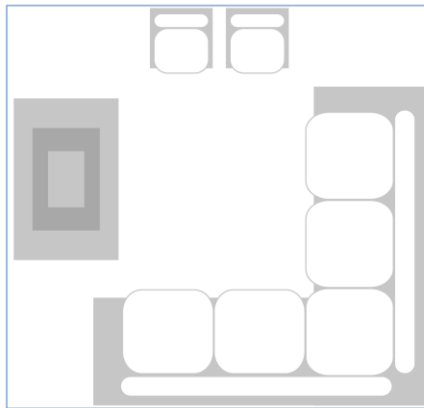


Wood & Gas Outdoor Fireplaces



The centerpiece of the Outdoor Room is the outdoor fireplace. Whether traditional wood burning or a modern linear see-through design, the outdoor fireplace is the perfect way to complete an outdoor space while adding a gathering spot for family and friends.

ZFP



SMALL SPACE

The Zentro Fireplace fits well into smaller spaces and utilizes Breeo's patent pending "smoke less" technology to ensure you get all the benefits of a wood fueled fireplace without the smoke.

zentro  |  ClifRock
gather round.



CR ZENTRO



ZFP

Description

24" x 24" Zentro Fire Box with 4' Flue built into 4' Wide Engineered Stone Base with a total height of 5'.

Zentro+: 304 Stainless Fire Box

Zentro Insert

- 24"x24"x30" Fire Box
- 4' Flue pipe and cap
- Wood grate included





CR OLYMPIA



DESCRIPTION

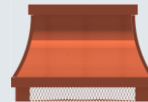
9' tall x 5' standard base outdoor fireplace with an Olympia 304 Stainless Steel one piece insulated Fire Box and Smoke Chamber and Flue Pipe.

Olympia Wood Fireplace

- All 304 Stainless Steel
- Engineered Firebox, Smoke Chamber & Screen
- 4' Flue Pipe and Chimney Cap

Optional Upgrades

Copper Chimney Shroud
 Built-in wood box
 8' Insulated Flue Pipe
 Extended Hearth
 Built-in seating wall



OFP

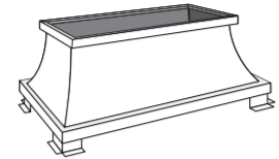
FIREPLACES ACCESORIES



CHIMNEY SHROUDS



New Yorker



New Englander

Available Size: 42"W x 26"D x 28"H

OPTIONAL

Olympia Chimney has precision engineered a full line of chimney shrouds for ClifRock Outdoor Fireplace designs that provide the perfect finishing touch to your outdoor room. Available in copper and 304 stainless steel ("plain" or powder coated).

OPTIONAL

NEUEX REFRACTORY
Refractory panels that assist with heat containment and heat reflection and enhance the overall performance of your outdoor fireplace fire box.



LFP-SERIES

SILVER MODERN



SLFP-M



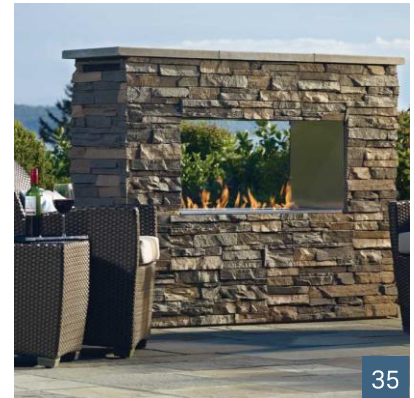
DESCRIPTION

Firegear 36" Kalea Bay Linear Outdoor Fireplace with Thermocouple Flame Sense and electronic ignition built into a 60" x 42" contemporary engineered stone fireplace.

Available in: See through or Solid Reflective Back

36" Kalea Bay

- > 304 Stainless Steel
- > Electronic Ignition
- > Thermocouple Flame Sense
- > On/Off/Hi/Lo Remote Control
- > 31,000 BTUs



LFP-SERIES



SILVER RUSTIC

DESCRIPTION

Firegear 36" Kalea Bay Linear Outdoor Fireplace with Thermocouple Flame Sense and electronic ignition built into a 60" x 72" rustic engineered stone fireplace.

36" Kalea Bay

- > 304 Stainless Steel
- > Electronic Ignition
- > Thermocouple Flame Sense
- > On/Off/Hi/Lo Remote Control
- > 31,000 BTUs

Available in: Solid
Reflective Back Only



SLFP-R



GOLD MODERN

DESCRIPTION

Firegear 48" Kalea Bay Linear Outdoor Fireplace with Thermocouple Flame Sense and electronic ignition built into a 60" x 54" contemporary engineered stone fireplace.

48" Kalea Bay

- > 304 Stainless Steel
- > Electronic Ignition
- > Thermal Couple Flame Sense
- > On/Off/Hi/Lo Remote Control
- > 43,000 BTUs

Available in: See through
or Solid Reflective Back



GLFP

LFP-SERIES

PLATINUM MODERN

DESCRIPTION

Firegear 60" Kalea Bay Linear Outdoor Fireplace with Thermocouple Flame Sense and electronic ignition built into a 90" x 54" contemporary engineered stone fireplace.

60" Kalea Bay

- > 304 Stainless Steel
- > Electronic Ignition
- > Thermocouple Flame Sense
- > On/Off/Hi/Lo Remote Control
- > 50,000 BTUs

Available in: See through
or Solid Reflective Back



PLATINUM+ MODERN

DESCRIPTION

Firegear 72" Kalea Bay Linear Outdoor Fireplace with Thermocouple Flame Sense and electronic ignition built into a 120" x 42" contemporary engineered stone fireplace.

72" Kalea Bay

- > 304 Stainless Steel
- > Electronic Ignition
- > Thermal Couple Flame Sense
- > On/Off/Hi/Lo Remote Control
- > 65,000 BTUs



CERTIFIED INSTALLERS



All ClifRock Installers are Factory Trained and Authorized



Certified Installers

ClifRock outdoor living construction system is only available through local, factory-qualified contractors, who are trained and authorized to design and install your fire features, outdoor kitchens, and other outdoor living projects. When you hire a ClifRock Authorized Installer, you can rest assured that you are in the hands of a trained construction professional.

For more info visit:

www.ClifRock.com/Outdoor-Fire-Features/



 ClifRock

4 Center St
Merrimack, NH 03054
(603) 792-3466